



MS9524 & MS9544 **VoyagerPDF™**

VoyagerPDF® is the hand-held, single-line laser scanner that offers aggressive scanning of all standard 1D bar codes, including PDF.

Metrologic's VoyagerPDF maximizes checkout efficiency with aggressive scanning of all standard 1D bar codes, including PDF codes. VoyagerPDF is also well-suited for light manufacturing and warehouse applications.

Metrologic's VoyagerPDF (models MS9524 & MS9544) combines the ability to decode PDF bar codes with many of the outstanding features found in all Voyager series hand-held, single-line scanners – the industry benchmark for value and performance.

Both models decode the following bar codes: standard 1D, PDF417, PDF417

truncated, micro PDF, macro PDF and RSS-14 composite.

Since VoyagerPDF decodes bar codes featured on United States drivers' licenses, it is ideal for identity-verification applications.

In addition to automatic infrared activation for bar code detection, VoyagerPDF (model MS9544) also comes equipped with Metrologic's patented CodeGate® technology which completes data transmission with the push of a single button.

VoyagerPDF models come with a stand and in-stand auto-detection technology for presentation scanning.

www.metrologic.com/MS9524

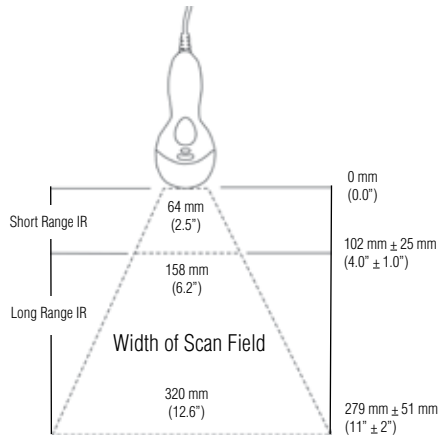


Features

- Decodes PDF417
- Automatic trigger
- CodeGate data transmission
- High speed scanning
- FlashROM

Benefits

- Ability to decode PDF417, PDF417 truncated and micro PDF
- Use scanner as either a hand-held device or a fixed presentation scanner when mounted in the stand
- Zero in on desired code and complete data transmission with the push of a single button - Ideal for menu-scanning applications system
- Industry leading scan speed (180 scans/second) maximizes productivity by increasing throughput
- Protects POS investment with free firmware updates via MetroSet®2 software and standard PC



OPERATIONAL

Light Source	650 nm VLD
Laser Power	0.96 mW
Infrared Activation	Long Range: 0 mm-279 mm + 51 mm (0" - 11" + 2") Short Range: 0 mm-102 mm + 25 mm (0" - 4" + 1")
Decode Capability	Autodiscriminates all standard 1D bar codes, including GSI DataBar™, PDF417, Truncated PDF, Micro and Macro PDF
System Interfaces	RS232, PC Keyboard Wedge, Stand-Alone Keyboard, OCIA, IBM468X/469X, Light Pen Emulation, and USB
Number Characters Read	Up to 80 data characters
Beeper Operation	13 tones or no beep
Indicators (LED)	Blue=unit powered; White=good read; Yellow steady (MS9540) = CodeGate button is inactive

MECHANICAL

Length	198 mm (7.8")
Width	Handle: 45 mm (1.8"); Head: 78 mm (3.1")
Depth	40 mm (1.6")
Weight	149 g (5.25 oz)

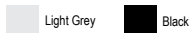
ELECTRICAL

Input Voltage	5.2VDC ± .25 V
Power	Operating: 1,500 mW - Standby: 750 mW
Operating Current	Operating: 300 mA typical 5.2VDC; Standby: 100 mA typicale @ 5.2VDC
DC Transformers	Class 2; 5.2VDC @ 650 mA
LED Class	Class 1; IEC60825-1:1993/A1:1997+A2:2001 Class 1; EN60825-1:1994/A11:1996+A2:2001
EMC	FCC Class B

ENVIRONMENTAL

Operating Temperature	0°C to 40°C (32°F to 104°F)
Storage Temperature	-40°C to 60°C (-40°F to 140°F)
Humidity	5% to 95% relative humidity, non-condensing
Light Levels	Up to 4,842 Lux (450 footcandles)
Shock	Designed to withstand 1.5 m (5') drops

Product Colors Available

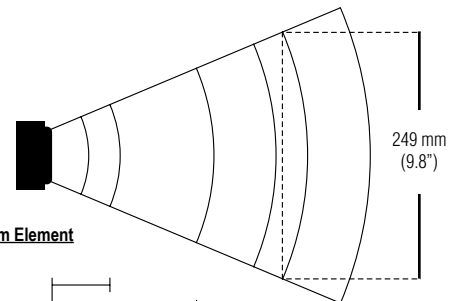


MS9500 is available in a variety of other colors with minimum quantity purchase.

SCAN PERFORMANCE

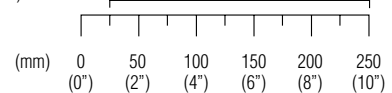
Depth of Scan Field (programmable)	0 mm - 203 mm (0" - 8") for 0.330 mm (13 mil) bar codes @ default
Width of Scan Field	64 mm (2.5") @ face; 249 mm (9.8") @ 203 mm (8.0")
Scan Speed	180 ± 10 scan lines per second
Scan Pattern	Single scan line
Number of Scan Lines	20
Minimum Bar Width	0.127 mm (5 mil)
Print Contrast	35% minimum reflectance difference
Roll, Pitch, Yaw	42°, 68°, 52°

Scan Area



Bar Code Minimum Element

- 0.132 mm (5.2 mil)
- 0.190 mm (7.5 mil)
- 0.264 mm (10.4 mil)
- 0.330 mm (13 mil)
- 0.533 mm (21 mil)



Metrologic Instruments, Inc. | Worldwide Headquarters
90 Coles Road | Blackwood, NJ 08012-4683 | info@metrologic.com
Telephone 856-228-8100 | Fax 856-228-6673 | www.metrologic.com

Asian Headquarters Tel. 65.6842.7155 info@sg.metrologic.com
European Headquarters Tel. 49.89.89019.0 info@eu.metrologic.com
The Americas Headquarters Tel. 1.800.ID.METRO info@us.metrologic.com



Specifications subject to change without notice. Printed U.S.A. Copyright January 2008 Metrologic, all rights reserved.



DS9500