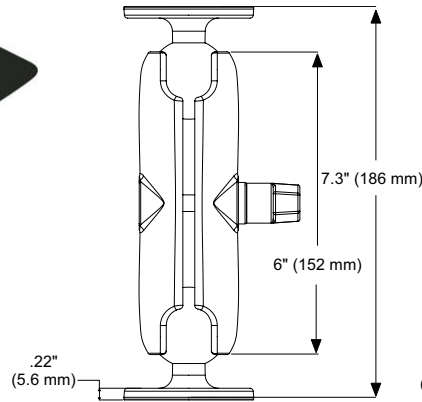


ACCESSORY GUIDE: MOUNTING ARM/ADAPTER

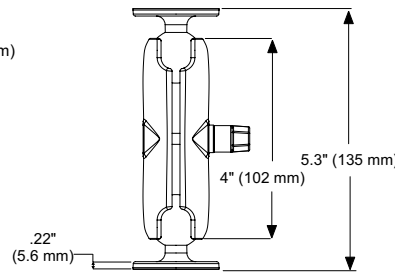


The Microscan mounting arm is a robust device for mounting unattended barcode scanners, imagers or smart cameras in virtually any environment, including industrial applications. The arm is made of marine-grade powder-coated aluminum. The ball (which forms the joint) is made of injection-molded rubber that grips the mount firmly in place and minimizes any movement or vibration. Mounting arms can be rotated into almost any position, allowing for flexible placement of your reader or camera.

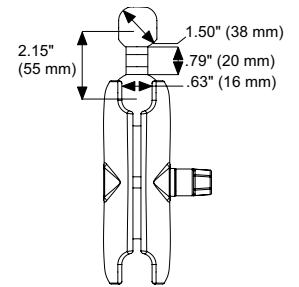
6-Inch (152 mm) Mounting Arm



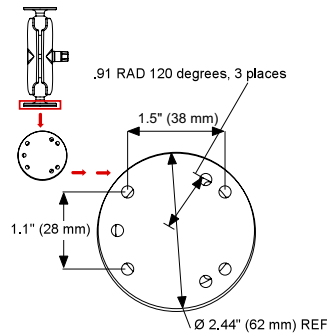
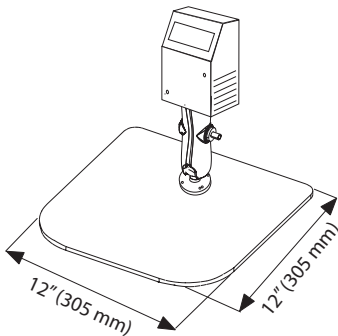
4-Inch (102 mm) Mounting Arm



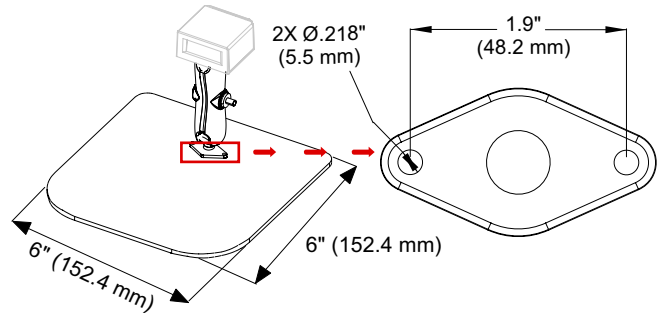
Extension Joint Kit(s) (Includes 1 Mounting Arm)



Larger Base Plate (Reader not included in kit)



Smaller Base Plate (Reader not included in kit)



Mounting Arm Options Kits include reader mount, mounting arm, and base mount.

Microscan Model	MS-890	QX-870, QX-830, HAWK Series	MS-9	MS-2, MS-3, MS-4, MINI Series	IB-890
Mounting Kits	98-000018-01 6" (152 mm) kit	98-000016-01 6" (152 mm) kit	98-000019-01 6" (152 mm) kit	98-000048-01 4" (102 mm) kit	98-000017-01 6" (152 mm) kit
Extension Joint	MS-890, IB-890, QX-870, QX-830, MS-9, HAWK Series: 98-000037-01 6-inch (152 mm) extension; MS-3, MS-4, MINI Series: 98-000053-01 4-inch (102 mm) extension; MS-2, MS-3, MS-4, MINI Series: 98-000053-02 3-inch (75.6 mm) extension; kits include extension joint and mounting arm.				
Base Plate	MS-890, IB-890, QX-870, QX-830, MS-9, HAWK Series: 98-000046 12 x 12-inch (305 by 305 mm); mounting screws are included with the arm. MS-2, MS-3, MS-4, MINI Series: 98-000054-01 6 x 6-inch (152.4 by 152.4 mm); mounting screws are included with the arm.				